

Hoists bedhead hoists...



Contents

Designed around patient safety	3
Designed around patient positioning ..	4
Hoist dimensions	5
Designed around ease of use	6
Accessories	8



Designed around... patient safety

Sidhil's reliable and practical bed head hoist was developed to fill a gap in the market between mobile hoists and ceiling track/gantry hoists, providing a safe and practical solution for domestic and nursing home environments where these options may not be applicable.

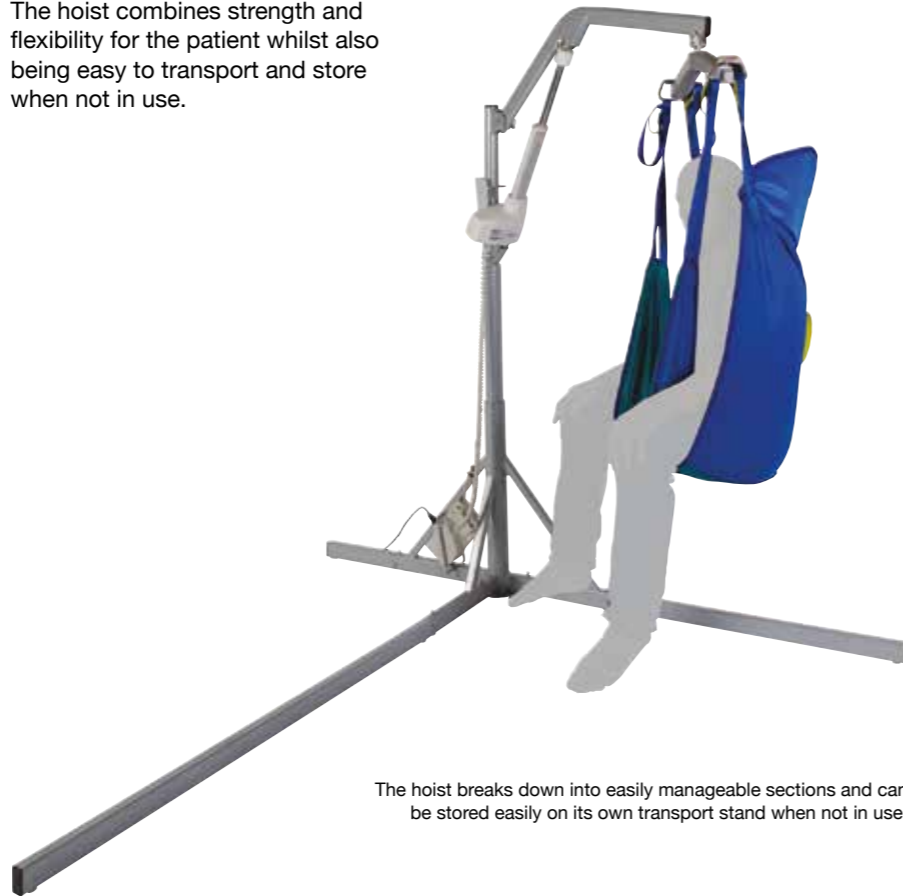
The Sidhil Hoist is the perfect combination of flexibility, simplicity and cost efficiency. Simple assembly, ease of installation and use combined with re-use make bed head hoists the perfect choice for palliative, crisis and short term care situations as well as longer term applications.

Designed around... patient positioning

The bed head hoist is capable of lifting up to 152kgs/24 stone, this strong and flexible hoist is particularly useful for situations where space may be constrained.

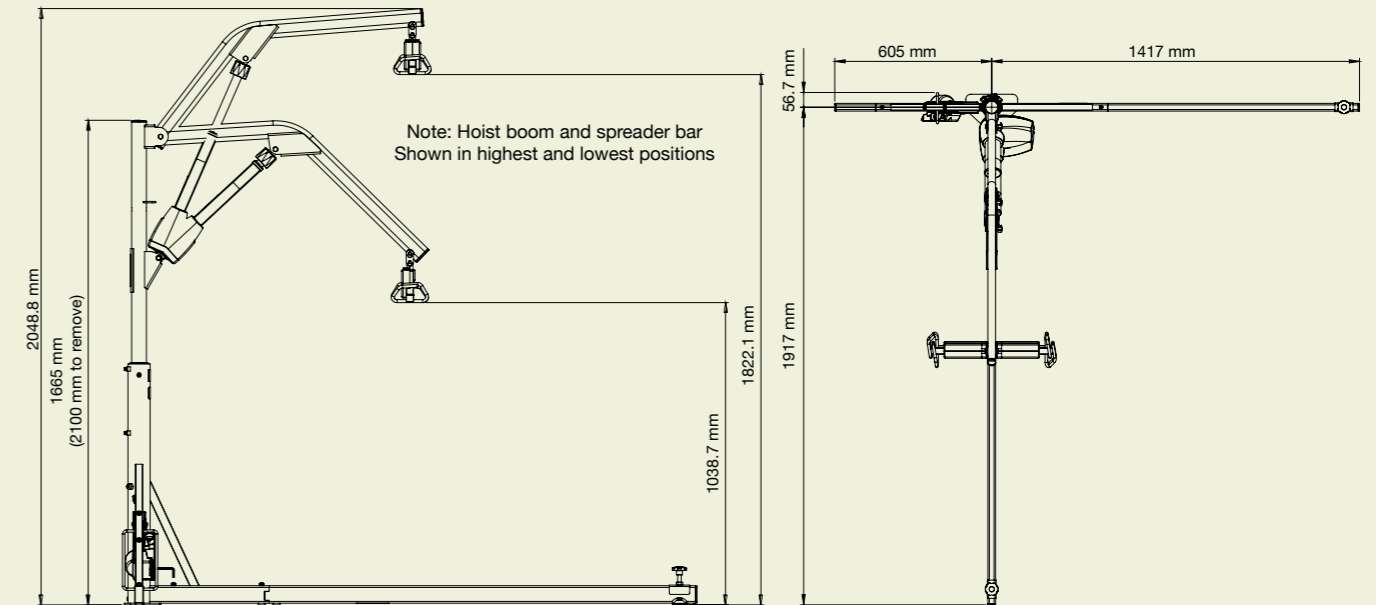
Due to its innovative design the hoist can also be used to easily assist transfers from bed to chair, wheelchair to commode.

The hoist combines strength and flexibility for the patient whilst also being easy to transport and store when not in use.



The hoist breaks down into easily manageable sections and can be stored easily on its own transport stand when not in use.

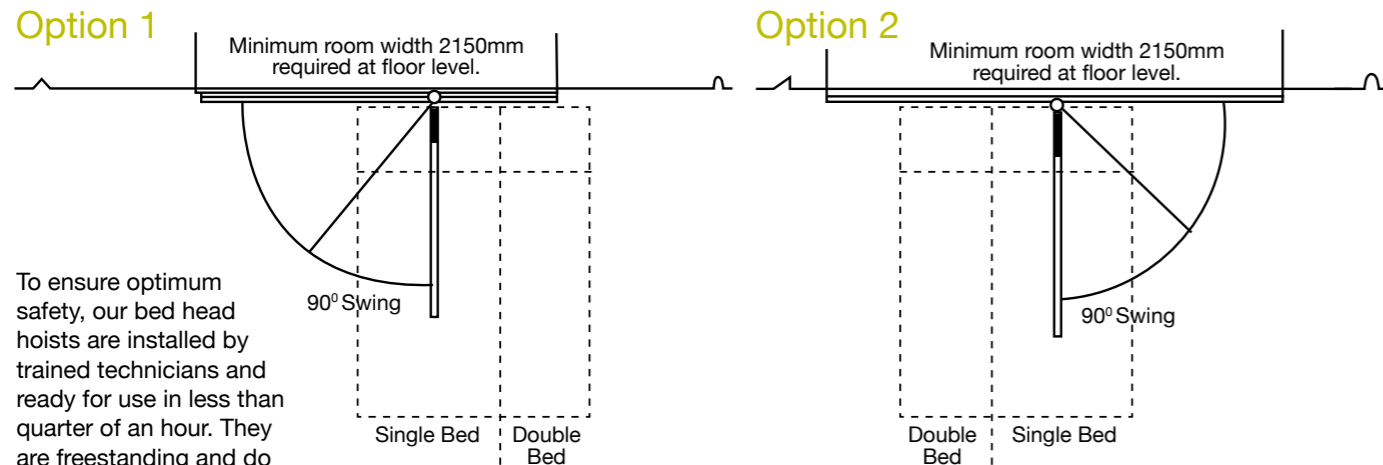
Hoist dimensions



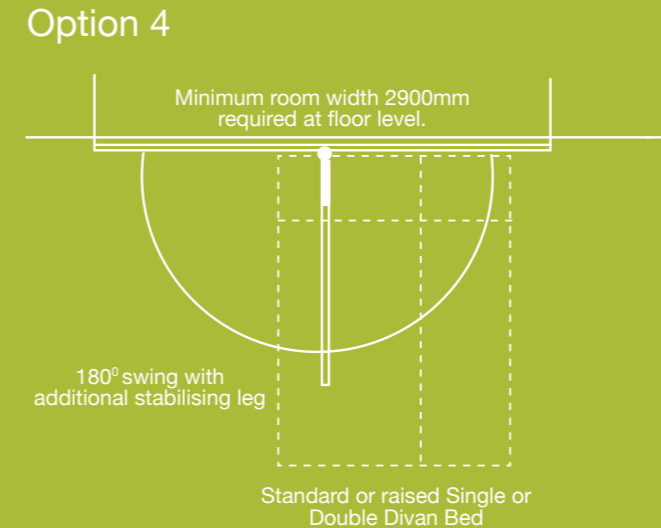
Designed around... ease of use

In most environments and applications, our bed head hoists allow for safe use by a single carer. Designed around flexibility, they do the same job as 70% of more expensive ceiling track hoists, and allow for improved positioning and more variable bedroom arrangements than mobile hoists. Bed head hoists are also suitable for use with drawer line divan beds.

The hoist can be configured in 4 different positions, which one will work the best for you?



To ensure optimum safety, our bed head hoists are installed by trained technicians and ready for use in less than quarter of an hour. They are freestanding and do not require attachment to walls or other structures and equipment.



Key features

- Portable electric bedhead hoist
- Combines strength and flexibility with ease of transportation and use. Designed to assist transfers from bed to chair, wheelchair or commode
- Fills a gap in the market between mobile hoists and ceiling track/gantry hoists, for safe and practical use in situations where these options are not applicable
- Particularly useful for areas where space is constrained
- Can be used on uneven floors and with drawer line divans
- 180° arc of movement
- Breaks down into easily manageable sections. Can be stored easily on its specially designed transport stand
- Range of slings include universal, commode, head support and extra large option, all incorporating special easy-slide fabric to facilitate entry and exit
- Manual lowering device 3 year warranty (1st year parts & labour, 2nd and 3rd year parts only)
- Increased maximum user weight up to 152kg (24st)
- Product weight –
Hoist on transport stand: 62kg Constructed hoist: 50kg

Hoists Bedhead hoists...

Bedhead Hoist Code			
Bedhead Hoist		HST13	
Accessories			
Additional Stabilising Leg (not pictured) The standard legs can be fitted for either left or right handed use. The additional stabilising leg allows full 177° use.		HST14	
Universal Sling: Small / Medium / Large / XLarge		HST09/S / M / L / XL	
Commode Sling: Small / Medium / Large / XLarge		HST10/S / M / L / XL	
Head Support for Universal Sling (not pictured):		HST11/S / M / L / XL	
Height (cm)	Width (cm)	Width (cm)	Length (cm)
204.8 (floor to top of boom)	202 overall	283.5 with extra long leg – for 180° swing	197.5 overall
Product Weight (kg)			
62 Hoist on transport stand 50 Hoist			



Universal Sling



Head Support



Commode Sling



Transport Stand

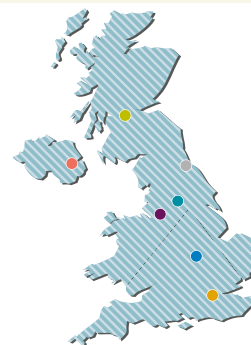
Service centres nationwide

With service centres strategically located nationwide, we guarantee an optimum response, supported by our team of field service engineers. Their experience and depth of product knowledge ensures equipment is put back into service promptly, efficiently and cost effectively.

We carry comprehensive stocks of spare parts both for the Sidhil range and for other manufacturers' products at our service centres. We also provide decontamination services to protocols as advised by a clinical scientist in infection control, staffed by trained personnel operating in accordance with MHRA DB2006 (05).

Our service centre processes are embedded within Sidhil's established quality standards to ISO 9001 levels.

For more information on our service and maintenance capabilities, contact the Service Team on: 01422 233 136.



- Glasgow
- Sunderland
- Halifax
- Warrington
- Kettering
- Orpington
- N. Ireland

Service & Maintenance & Rentals

Product Servicing - All Makes / Decontamination / Spares
Short term solutions available as an alternative to outright purchase



Sidhil Business Park
Holmfield, Halifax,
West Yorkshire
HX2 9TN

Tel: +44 (0) 1422 233000
Fax: +44 (0) 1422 233010
Email: sales@sidhil.com
Web: www.sidhil.com



93/42/EEC



Certificate No. FM14550

Independently verified to IEC 60601-1 and IEC 60601-2-52
through a 3rd party UKAS approved test house